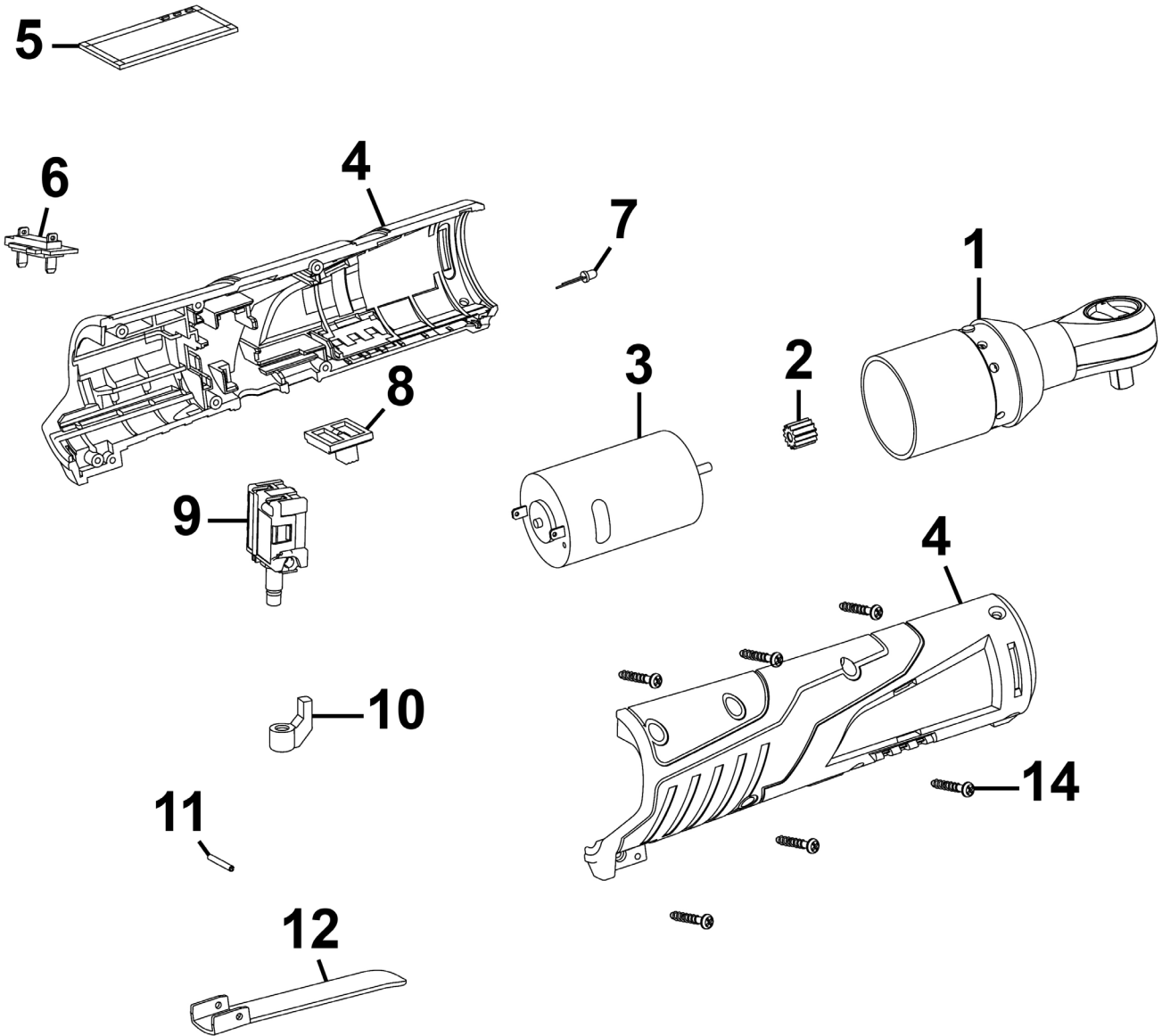




Parts Information:  
**SV12 Series 3/8" Sq Drive Cordless Ratchet  
 Wrench 12V - Body Only**  
**Model No: CP1202**



Item	Part No.	Description
1	CP1202.01	Gearbox Ass'y
2	CP1202.02	Motor Gear
3	CP1202.03	Motor (Internal 10.8v)
4	CP1202.04	Casing Complete
5	CP1202.05	PCB, Control Board, 50 X 30mm
6	CP1202.06	Battery Clip
7	CP1202.07	LED

Item	Part No.	Description
8	CP1202.08	Lock Button for Switch
9	CP1202.09	Switch, Press Button 20A/ 7.2-24V DC - LYKS-01
10	CP1202.10	Button for Switch
11	CP1202.11	Spring Pin M2 x 18
12	CP1202.12	Handle Lever
14	CP1202.14	Casing Screw

**NOTE:** It is our policy to continually improve products and as such we reserve the right to alter data, specifications and component parts without prior notice. There may be alternative versions of this product, please contact us should you require this information.

**IMPORTANT:** No liability is accepted for incorrect use of product. Spare parts must be fitted by a competent person

**WARRANTY:** Guarantee is 12 months from purchase date, proof of which will be required for any claim.

Jack Sealey Ltd t/a Sealey Group, Kempson Way, Suffolk Business Park, Bury St Edmunds, Suffolk, IP32 7AR UK

Jack Sealey (EU) Ltd t/a Sealey Group, Farney Street, Carrickmacross, Co. Monaghan, A81 PK68 Ireland

Tel: 01284 757500 · Email: sales@sealey.co.uk · Web: www.sealey.co.uk